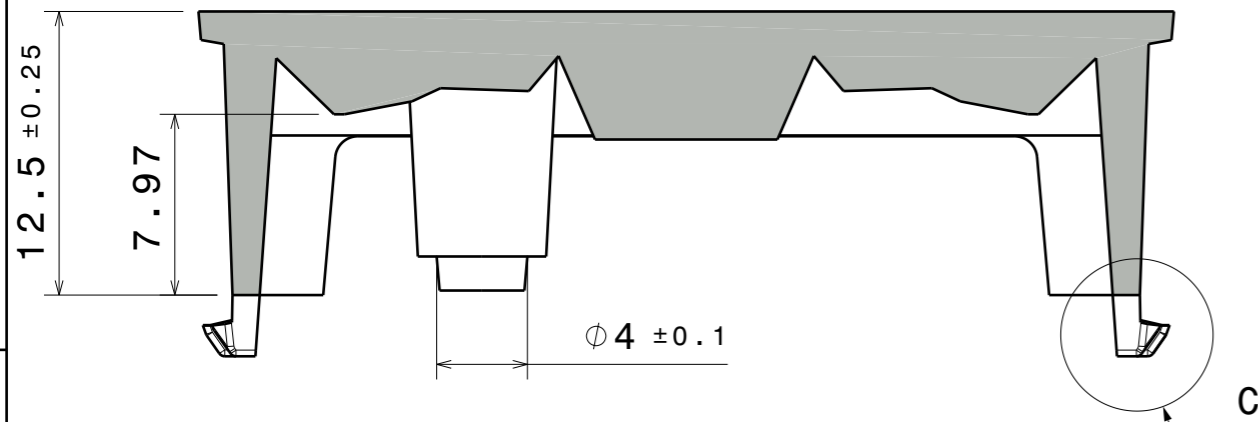
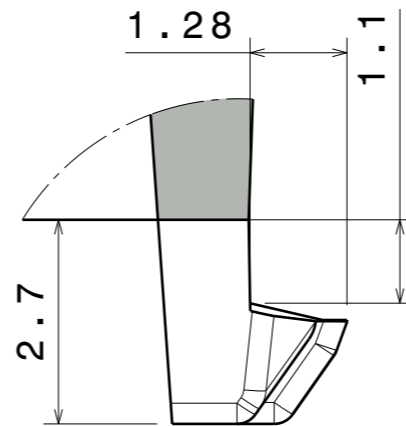


DATE
02.11.2021

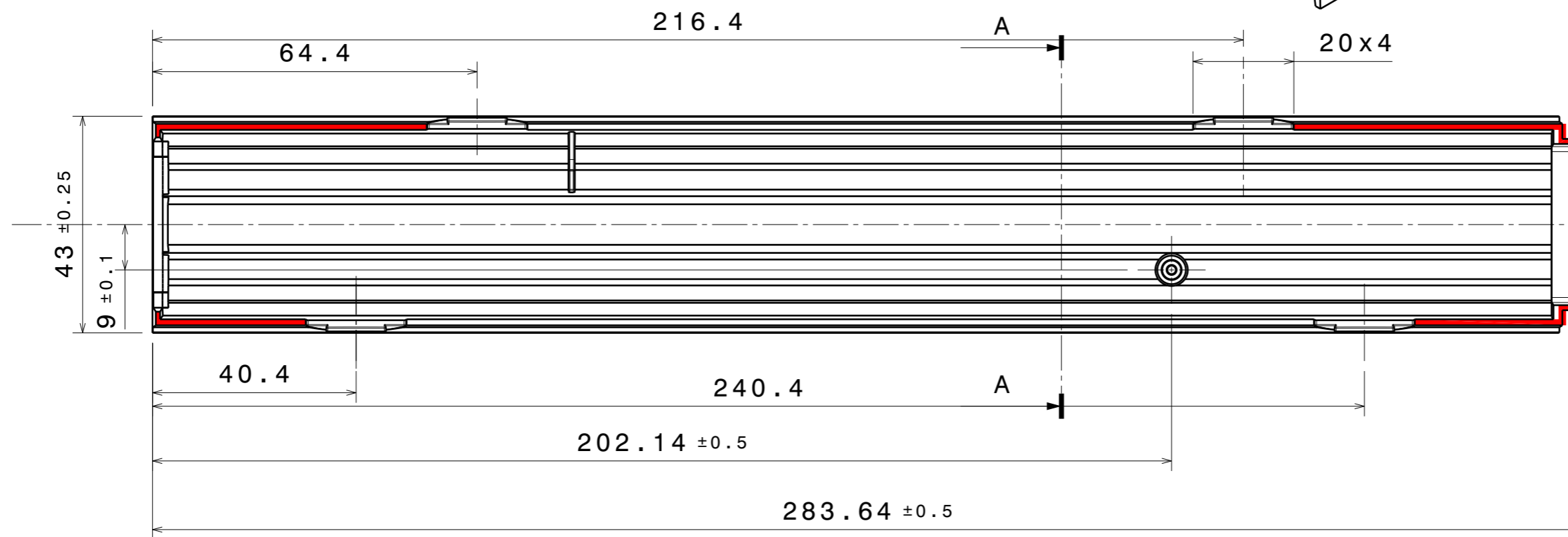
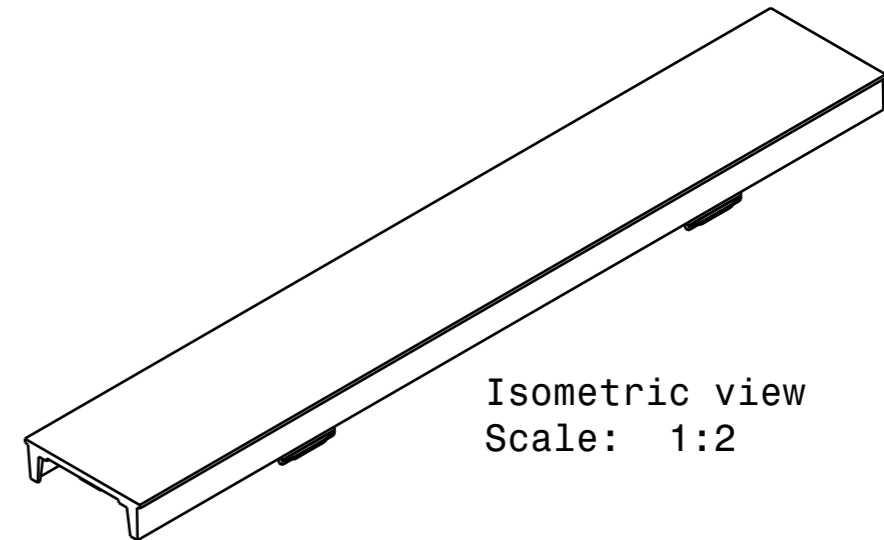
Section view A-A
Scale: 3:1



Detail C
Scale: 10:1



Isometric view
Scale: 1:2



PART	TYPE	MATERIAL	COLOR / COATING
F17170_LINNEA-GC2-Z2T25	LENS	PMMA	CLEAR

MECHANICAL DRAWING	
PRODUCT	LINNEA-G2
Plastic moulding general tolerances according to DIN 16901-130 and applies if not otherwise shown in the drawing. Silicone moulding general tolerances according to ISO 3302-1 Class M3 and applies if not otherwise shown in the drawing.	FIRST ANGLE PROJECTION:
SCALE 1:1	WEIGHT 56,378g

LEDiL [®]	This drawing is the property of LEDiL Oy. It may not be copied or otherwise distributed without prior written permission from LEDiL Oy.
	A3 SHEET 1/1

Notes

- PCB or heatsink level.
- LED location
- Ensure LED fitting from a product specific 3D model available from www.ledil.com
- For more details about installation please see LEDiL Installation Guide on www.ledil.com

4

3

2

1

Reference PCB

C17170 LINNEA-GC2-Z2T25

PART	TYPE	MATERIAL	COLOR / COATING
F17170_LINNEA-GC2-Z2T25	LENS	PMMA	CLEAR

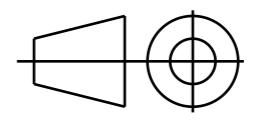
MECHANICAL DRAWING

PRODUCT
LINNEA-G2

LEDiL[®]

Plastic moulding general tolerances according to DIN 16901-130 and applies if not otherwise shown in the drawing. Silicone moulding general tolerances according to ISO 3302-1 Class M3 and applies if not otherwise shown in the drawing.

FIRST ANGLE PROJECTION:



This drawing is the property of LEDiL Oy. It may not be copied or otherwise distributed without prior written permission from LEDiL Oy.

SCALE	1:1	WEIGHT	56,378g	A3	SHEET 1/1
-------	-----	--------	---------	----	-----------

Notes

- PCB or heatsink level.
- LED location
- Ensure LED fitting from a product specific 3D model available from www.ledil.com
- For more details about installation please see LEDiL Installation Guide on www.ledil.com